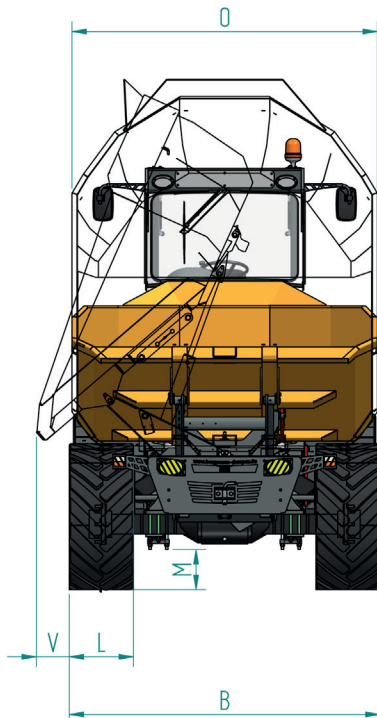
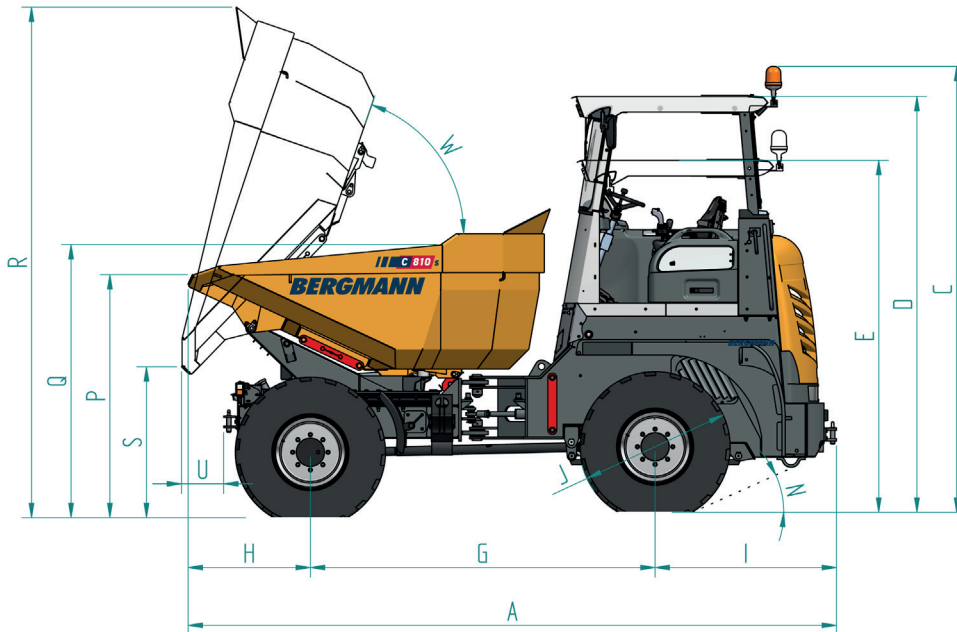


BERGMANN II C 810s



Lowerable canopy (ROPS)



Dimensions

A	5,050 mm	16.57 ft
B	2,420 mm	7.94 ft
C	3,471 mm	11.39 ft
D	3,239 mm	10.63 ft
E	2,747 mm	9.01 ft
G	2,685 mm	8.81 ft
H	952 mm	3.12 ft
I	1,413 mm	4.64 ft
J	1,170 mm	3.84 ft
L	500 mm	1.64 ft
M	313 mm	1.03 ft
N		24°
O	2,378 mm	7.80 ft
P	1,893 mm	6.21 ft
Q	2,127 mm	6.98 ft
R	3,975 mm	13.04 ft
S	1,175 mm	3.85 ft
U	329 mm	1.08 ft
V	65 mm	0.21 ft
W		71°

Weight

Empty weight	6,200 kg	13,669 lb
Payload	9,000 kg	19,842 lb

Bucket capacity

Struck	3.6 m ³	4.7 yd ³
Heaped	4.6 m ³	6.0 yd ³

All illustrations, dimensions and weights do not necessarily correspond to the standard equipment and are non-binding with regard to tolerance deviations on component level. We reserve the right to make technical changes.



Technical data

Highlights

- High stability thanks to oscillating axle
- Instrument board lowerable and lockable
- Hydraulic park brake
- Type test approval by TBG

Engine

4 cylinder Cummins diesel engine – water-cooled	
Power	75 kW
Rotational speed	2,200 rpm
Emission standard	Tier 4 final

Transmission

Hydrostatic 4-wheel-drive with automotive control		
Speed I	9 km/h	5.6 mph
Speed II	28 km/h	17.4 mph

Steering

Hydraulic articulated steering via priority valve;
articulated joint: 30° left and right

Axles/Brakes

- Front axle rigid, rear axle with leaf spring suspension
- Maintenance-free oil-bath multi-disc brake with automatic adjustment in the front axle
- Hydraulically applicated locking brake acting over articulated shaft on front and rear axle

Standard tyres

All tyres 500/60 R20
(more tyre options on request)

Tank capacity

Fuel	75 L
Hydraulic oil	45 L

Electrics

- 12 V electric system with main switch
- Control panel for engine water temperature
- Control lamps for engine oil, park brake, driving display, battery charging control and hydraulic filter
- Display for drive position

Standard equipment

- Hydro sprung seat adjustable
- Safety bar (ROPS)
- Instrument panel lowerable and lockable ignition key
- Shunting coupling at the front and rear
- Lighting system according to German traffic regulations
- Bucket from wear-resistant fine-grain steel
- CE conformity declaration
- Manual/Spare parts list